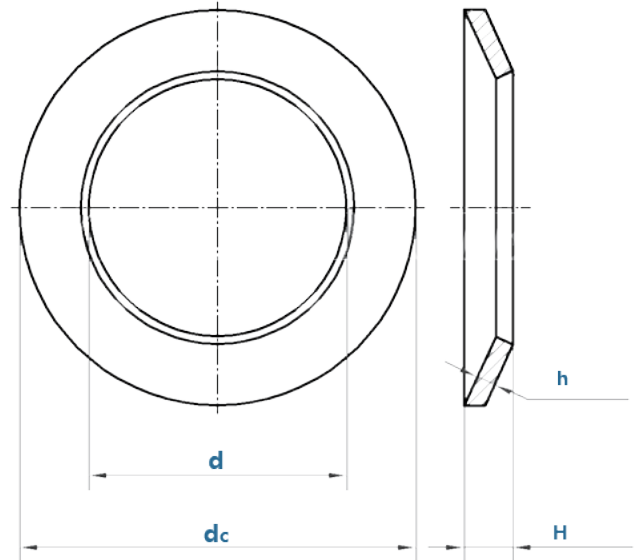


Conical spring Washer DIN6796 锥形弹簧垫圈DIN6796



Size	d		dc		s	h		weight
	min	max	max	min		max	min	
2	2.2	2.45	5	4.7	0.4	0.6	0.5	0.05
2.5	2.7	2.95	6	5.7	0.5	0.72	0.61	0.09
3	3.2	3.5	7	6.64	0.6	0.85	0.72	0.14
3.5	3.7	4	8	7.64	0.8	1.06	0.92	0.25
4	4.3	4.6	9	8.64	1	1.3	1.12	0.38
5	5.3	5.6	11	10.57	1.2	1.55	1.35	0.69
6	6.4	6.76	14	13.57	1.5	2	1.7	1.43
7	7.4	7.76	17	16.57	1.75	2.3	2	2.53
8	8.4	8.76	18	17.57	2	2.6	2.24	3.13
10	10.5	10.93	23	22.48	2.5	3.2	2.8	6.45
12	13	13.43	29	28.48	3	3.95	3.43	12.4
14	15	15.43	35	34.38	3.5	4.65	4.04	21.6
16	17	17.43	39	38.38	4	5.25	4.58	30.4
18	19	19.52	42	41.38	4.5	5.8	5.08	38.9
20	21	21.52	45	44.38	5	6.4	5.6	48.8
22	23	23.52	49	48.38	5.5	7.05	6.15	63.5
24	25	25.52	56	55.26	6	7.75	6.77	92.9
27	28	28.52	60	59.26	6.5	8.35	7.3	113
30	31	31.62	70	69.26	7	9.2	8	170