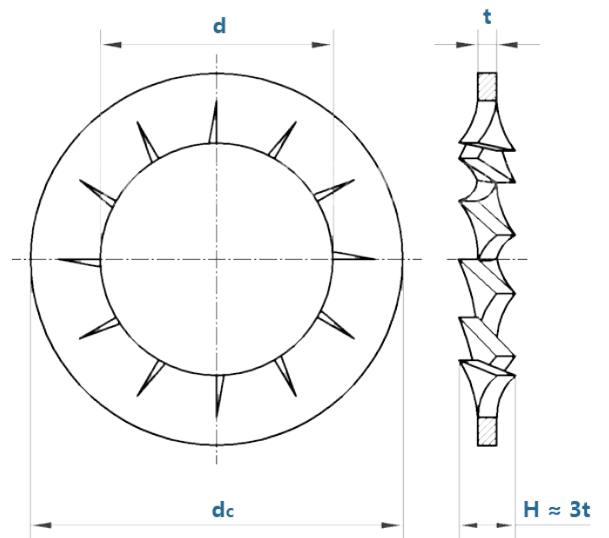




Internal Tooth Lock Washer DIN6797J 内齿锁紧垫圈DIN6797J



Size	d		dc		t	Number of Teeth	weight kg	For Thread
	min	max	max	min				
2	2.2	2.34	4.5	4.2	0.3	0.6	0.04	M2
2.7	2.7	2.84	5.5	5.2	0.4	6	0.045	M2.5
3.2	3.2	3.38	6	5.7	0.4	6	0.045	M3
3.7	3.7	3.88	7	6.64	0.5	6	0.085	M3.5
4.3	4.3	4.48	8	7.64	0.5	8	0.1	M4
5.3	5.3	5.48	10	9.64	0.6	8	0.2	M5
6.4	6.4	6.62	11	10.57	0.7	8	0.25	M6
7.4	7.4	7.62	12.5	12.07	0.8	8	0.35	M7
8.4	8.4	8.62	15	14.57	0.8	8	0.55	M8
10.5	10.5	10.77	18	17.57	0.9	9	0.9	M10
13	13	13.27	20.5	19.98	1	10	1.2	M12
15	15	15.27	24	23.48	1	10	1.9	M14
17	17	17.27	26	25.48	1.2	12	2.4	M16
19	19	19.33	30	29.48	1.4	12	3.7	M18
21	21	21.33	33	32.38	1.4	12	4.1	M20
23	23	23.33	36	35.38	1.5	14	6	M22
25	25	25.33	38	37.38	1.5	14	6.5	M24
28	28	28.33	44	43.38	1.6	14	8.5	M27
31	31	31.39	48	47.38	1.6	14	9.5	M30