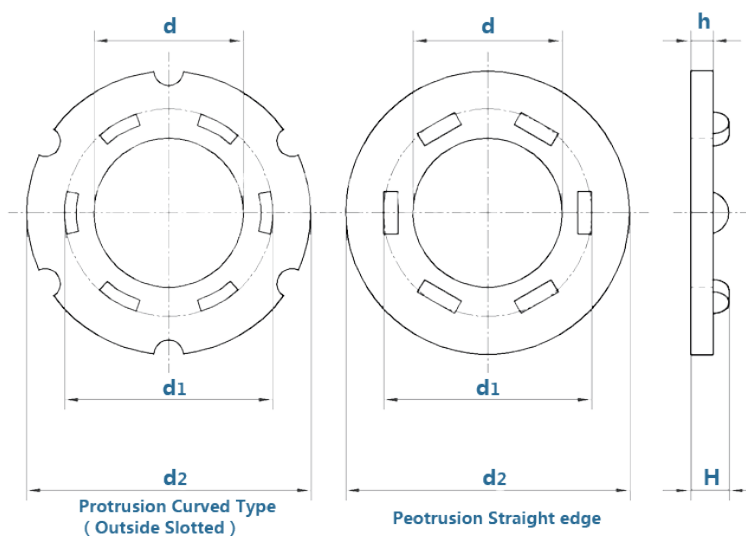




Direct Tension Indicators Washer F959M

压力指示器垫圈F959M



Size	d		d1	D2				n		h		H	
	Min	Max		Max	Min 8.8	Max 8.8	Min 10.9	Max 10.9	Number of Protrusions 8.8	Number of Protrusions 10.9	Min 8.8	Min 12.9	Max 8.8
M16	16.75	16.85	25	35.2	36.8	35.2	36.8	4	4	3	3.6	5.5	6
M20	20.95	21.05	29	44	46	44	46	5	6	4	3.6	6	6
M22	23.05	23.15	33	48.4	50.6	48.4	50.6	5	6	4	4	6	7
M24	25.15	25.25	38	52.8	55.2	52.8	55.2	6	7	4	4	7	7
M27	28.3	28.4	43	59.4	62.1	59.4	62.1	6	7	4	4	7	7
M30	31.45	31.55	46.5	66	69	66	69	7	8	4	4.8	7	7.5
M36	37.75	37.85	56	79.2	82.8	79.2	82.8	8	9	5	4.8	7.5	7.5