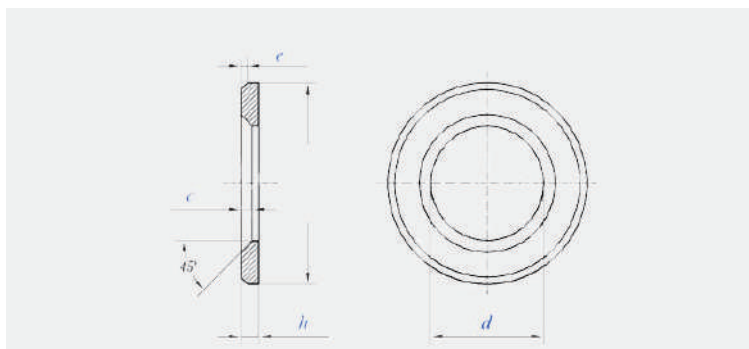


EN14399-6 Structural Washer 平面倒角垫圈



Size	d		dc		Baisc	h		e		c	
	Min	Max	Min	Max		Min	Max	Min	Max	Min	Max
M12	13	13.27	23.48	24	3	2.7	3.3	0.5	1	1.6	1.9
(M14)	15	15.27	27.48	28	3	2.7	3.3	0.5	1	1.6	1.9
M16	17	17.27	29.48	30	4	3.7	4.3	0.75	1.5	1.6	1.9
(M18)	19	19.33	33.38	34	4	3.7	4.3	0.75	1.5	2	2.5
M20	21	21.33	36.38	37	4	3.7	4.3	0.75	1.5	2	2.5
M22	23	23.33	38.38	39	4	3.7	4.3	0.75	1.5	2	2.5
M24	25	25.33	43.38	44	4	3.7	4.3	0.75	1.5	2	2.5
M27	28	28.52	49	50	5	4.4	5.6	1	2	2.5	3
M30	31	31.62	54.8	56	5	4.4	5.6	1	2	2.5	3
M36	37	37.62	64.8	66	6	5.4	6.6	1.25	2.5	2.5	3